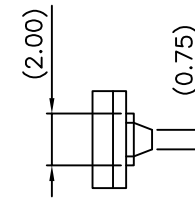
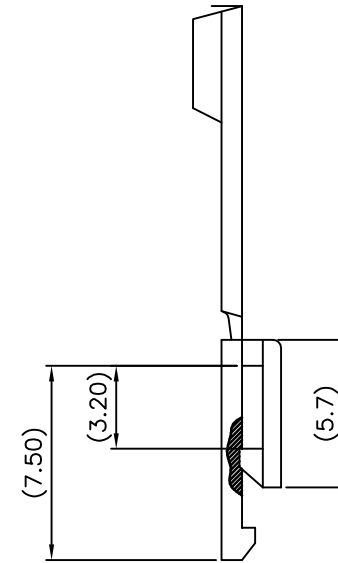
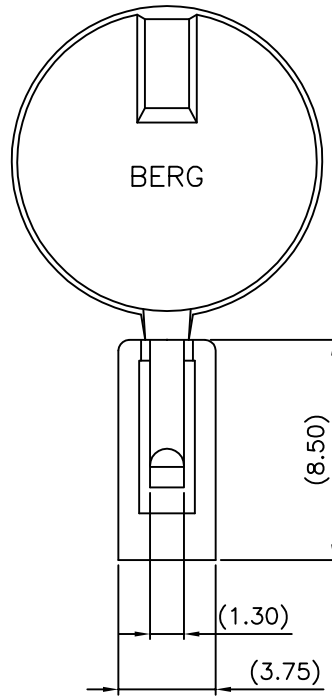


PRODUCT NUMBER
67020-001LF

WHEN REQUIRED, ADD SUFFIX LETTER "LF"
INDICATES THE PRODUCT IS RoHS
COMPATIBLE, SEE NOTE 2



NOTES :

1. MATERIAL : 30% GLASS FIBER POLYESTER
FLAME RETARDANT PER UL 94-V0
COLOUR : GREY (RAL 7038)
2. RoHs COMPATIBLE PRODUCT
 - a - LABELLING:
 - MEETS PACKAGING SPECS AS PER GS-14-920
 - b - LEGAL STATEMENT : SEE GS-22-008
 - c - THE PRODUCT IS NOT INTENDED TO BE EXPOSED TO MANUFACTURING SOLDER PROCESS
 - d - PRODUCT MEETS WITH EU 2002/EG/95

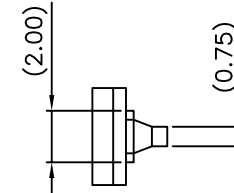
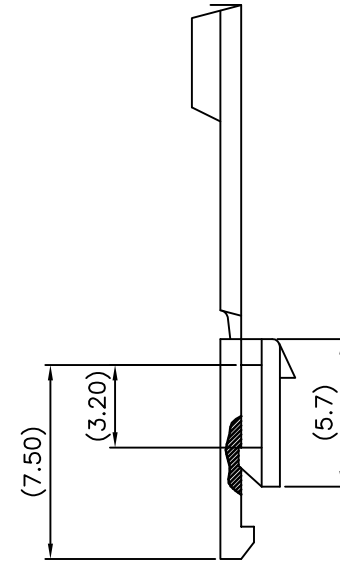
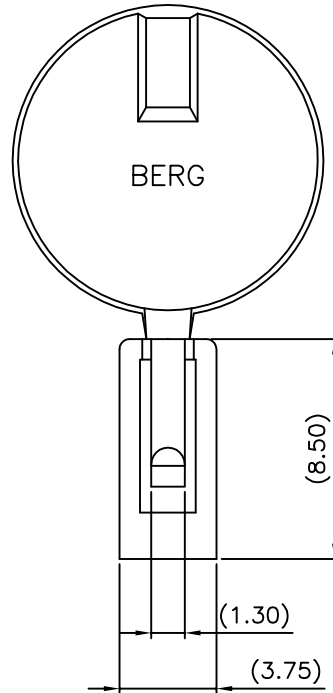


Copyright FCI

mat'l. code		surface		tolerance		projection		product family	
SEE NOTE 1		ISO 1302		ISO 406 ISO 1101					
ltr	ecn no	dr	date	tolerances unless otherwise specified		mm		title	
A	7310	LNA	86.12.18	angles	.X ±0.30			POLARIZING KEY	
B	F05-0257	LMU	05.10.11	linear	.XX ±0.15	scale 5:1		dwg no	
C	F06-0270	LMU	06.09.12		.XXX ±0.05			sheet 1 of 2	
				dr	L.MULIN	05.10.07		67020	
				engr	J.COMPAGNON	05.10.07		A3	
				chr				type	
				appd	J.M.C	05.10.07		CUSTOMER Drawing	
sheet	revision	C	C						
index	sheet	1	2						

PRODUCT NUMBER
67020-002LF

WHEN REQUIRED, ADD SUFFIX LETTER "LF"
INDICATES THE PRODUCT IS RoHS
COMPATIBLE, SEE NOTE 2



NOTES :

1. MATERIAL : 30% GLASS FIBER POLYESTER
FLAME RETARDANT PER UL 94-V0
COLOUR : GREY (RAL 7038)
2. RoHs COMPATIBLE PRODUCT
 - a - LABELLING:
- MEETS PACKAGING SPECS AS PER GS-14-920
 - b - LEGAL STATEMENT : SEE GS-22-008
 - c - THE PRODUCT IS NOT INTENDED TO BE EXPOSED
TO MANUFACTURING SOLDER PROCESS
 - d - PRODUCT MEETS WITH EU 2002/EG/95

mat'l. code		surface		tolerance		projection		product family		
SEE NOTE 1		ISO 1302		ISO 406 ISO 1101						
ltr	ecn no	dr	date	tolerances unless otherwise specified				title		
A	7310	LNA	86.12.18	angles	.X ±0.30	mm		POLARIZING KEY		
B	F05-0257	LMU	05.10.11	linear	.XX ±0.15					
C	F06-0270	LMU	06.09.12		.XXX ±0.05	scale 5:1				
				dr	L.MULIN 05.10.07			dwg no		
				engr	J.COMPAGNON 05.10.07			sheet 2 of		size
				chr				67020		A3
				appo	J.M.C 05.10.07			type CUSTOMER Drawing		
sheet	revision									
index	sheet									